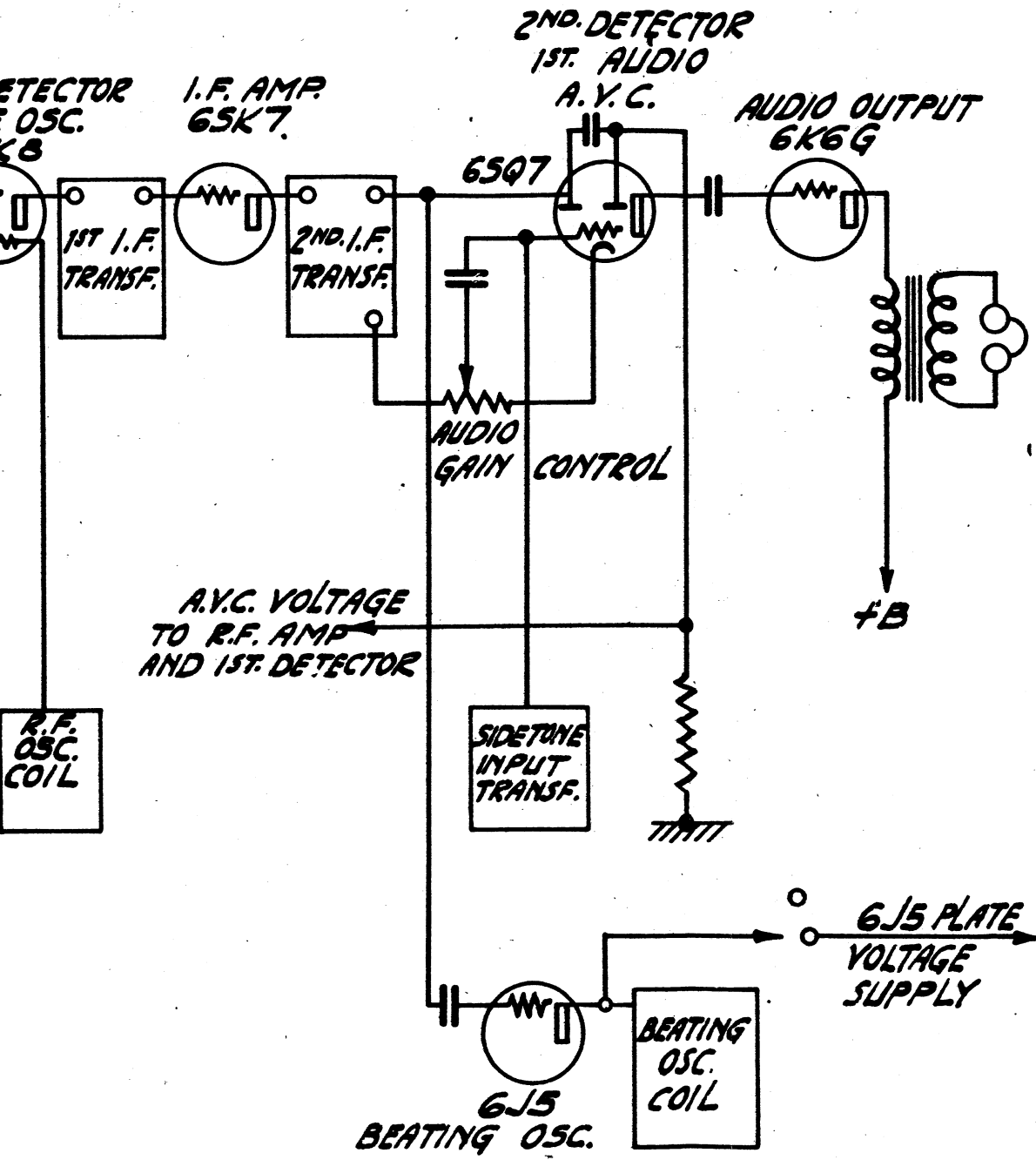


Intercommunication system is not an electrical part of the basic receiver, it is included in Fig. 26

Figure 27 - Basic Receiver - Simplified Schematic



tem is not an electrical part of the
it is included in Fig. 26

Receiver - Simplified Schematic